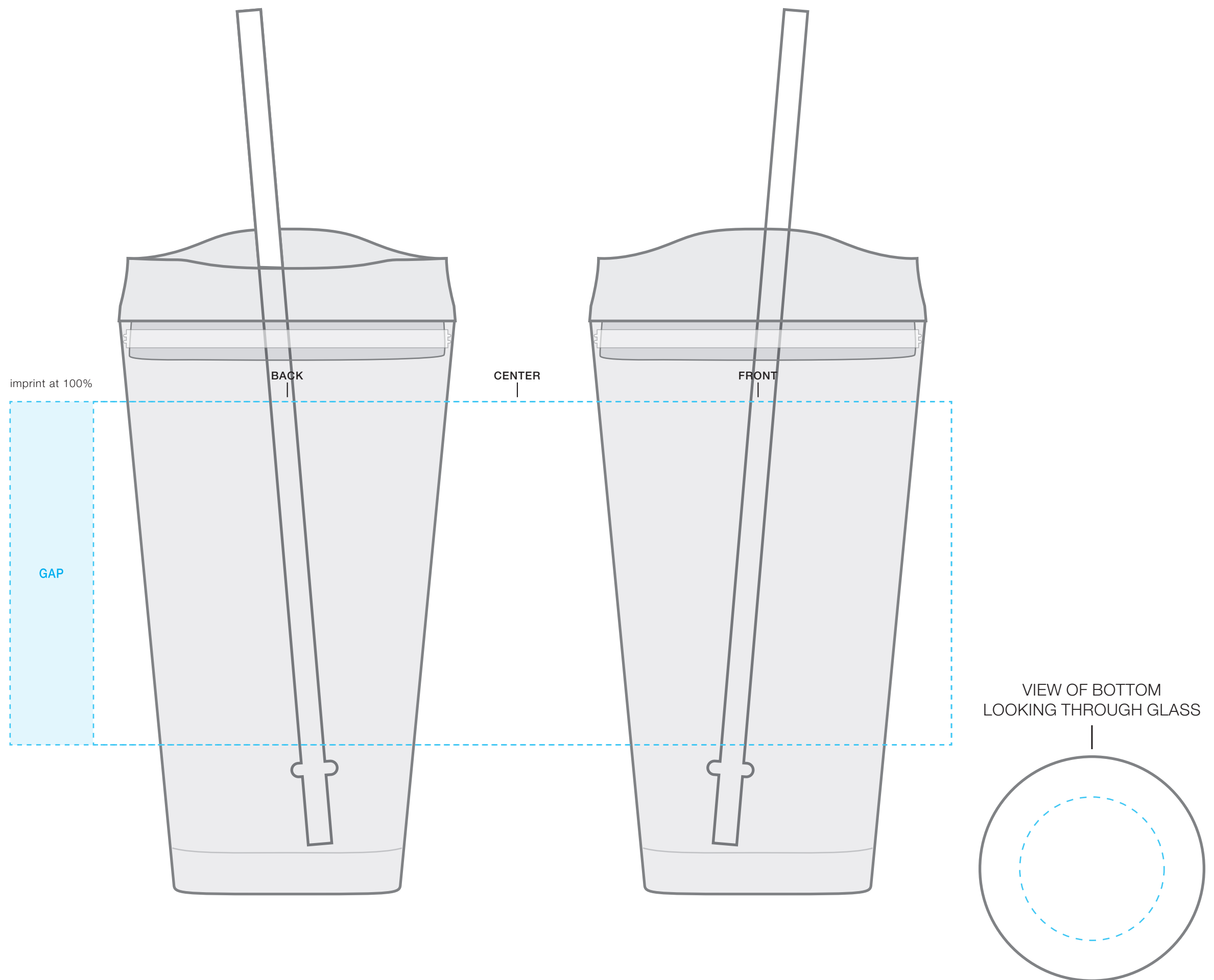


**\*\*CIRCLES AND/OR SQUARES WILL WARP DUE TO THE SHAPE OF THE ITEM\*\***



pint2go

AVAILABLE IMPRINT AREA [DASHED BLUE LINE] = 3.5" h x 3" w x 8.75" wrap    BOTTOM IMPRINT AREA = 1.5" diameter  
[ 9.6" full wrap when printing more than one imprint color ]

**NOT A PROOF  
FOR CONCEPT PURPOSES ONLY**  
PLEASE DESIGNATE PMS# TO CORRESPONDING COLOR #  
PLEASE USE PMS COLORS AND OUTLINE ANY FONTS  
BEFORE SENDING WITH YOUR ORDER